

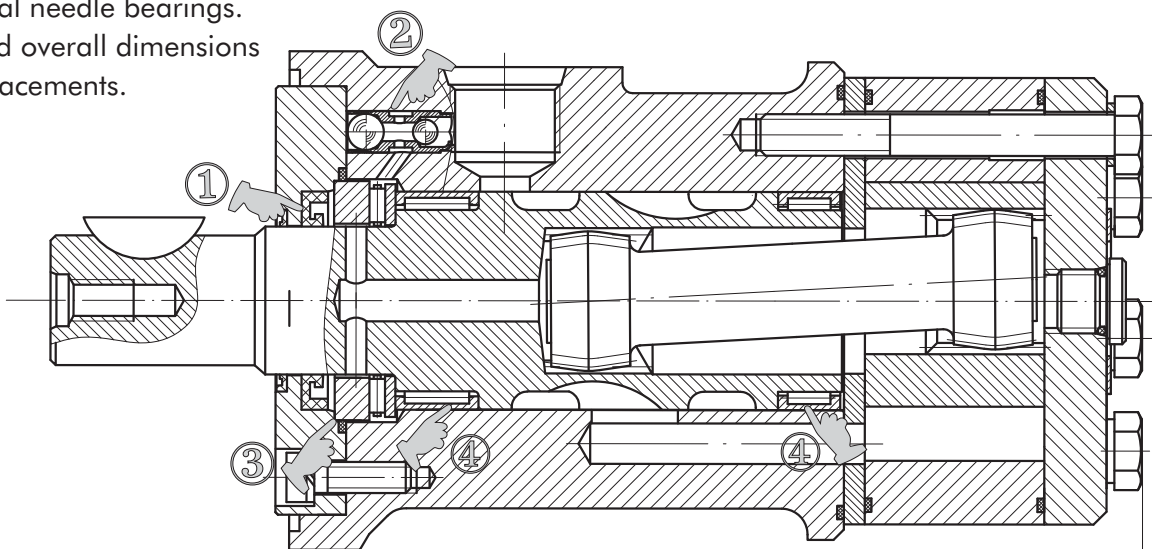
Hydraulic motors type HP(Q)N... series C

INTRODUCTION

M+S Hydraulic introduces a new version of hydraulic motors, type HP(Q)N...C with new constructional improvements with needle bearings. The HP motors are suitable for a wide range of applications with intermittent higher radial loads.

1. Standard shaft seal (up to 150 bar).
2. With check valves in the housing.
3. Two axial bearing washers.
4. Two radial needle bearings.
5. Increased overall dimensions for all displacements.

HP(Q)N...C



HP(Q)...U...E

