

Product Tech News

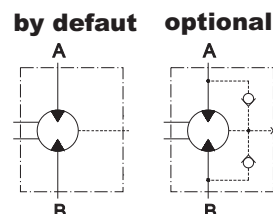
Hydraulic motors type MLHTM6V..HD series C

INTRODUCTION

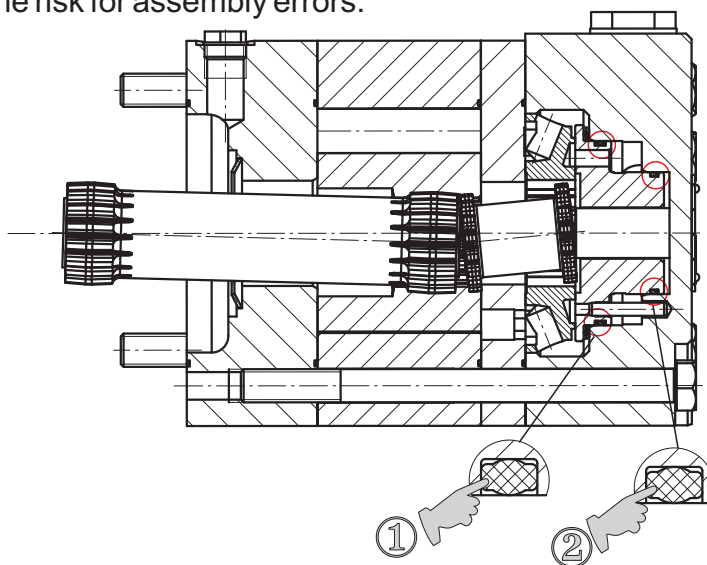
M+S Hydraulic introduces the new hydraulic motor MLHTM6V...HD series C with reinforced components designed to withstand high torques produced by frequent reversing.

The main advantages of the new series are:

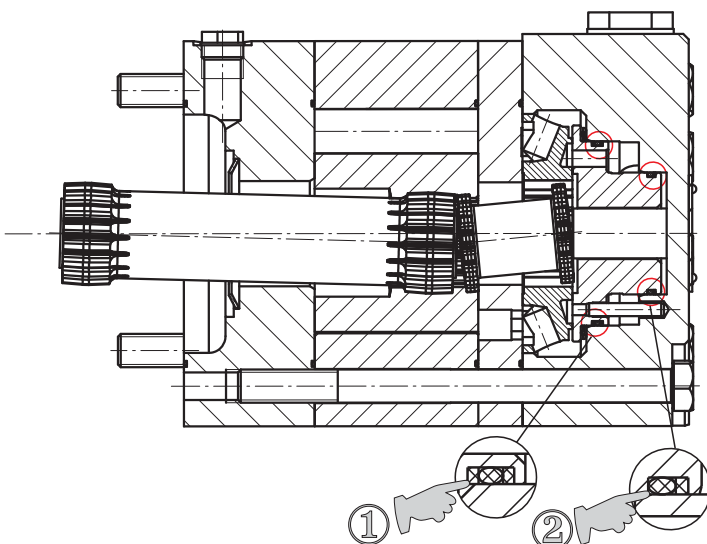
1. Easier assembly.
2. Prevention of the risk for assembly errors.



New Series C



Old Series B



The reinforced MLHTM6V...HD series C motors deviate from MLHTM6V...HD series B on the following points:

1. In order to protect the O-ring during the high pressure peaks, the balance plate has been provided with a new seal construction.
2. A drain line should always be used in case of valve absence!

The main technical features correspond to the standard motors MLHTM.

There are no changes in the overall and mounting dimensions of the new series of motors.

For detailed technical and mounting data please refer to M+S catalogue.