

Product Tech News

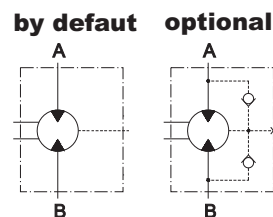
Hydraulic motors type MLHTMV..HD series C

INTRODUCTION

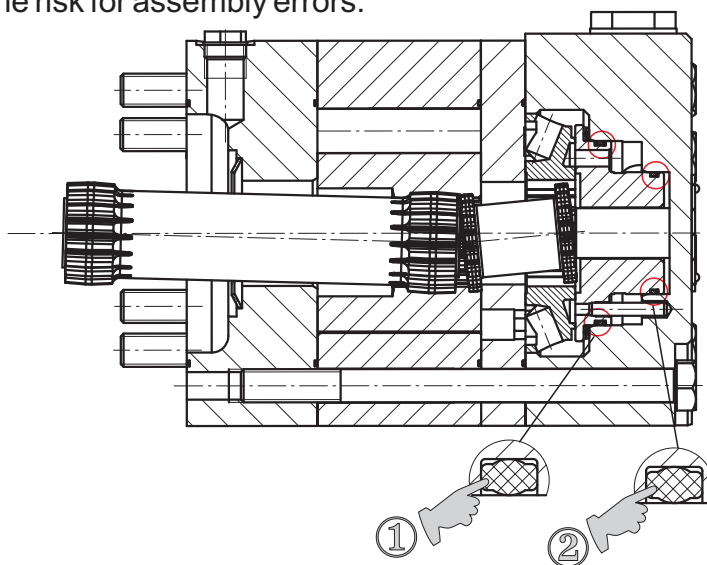
M+S Hydraulic introduces the new hydraulic motor MLHTMV...HD series C with reinforced components designed to withstand high torques produced by frequent reversing

The main advantages of the new series are:

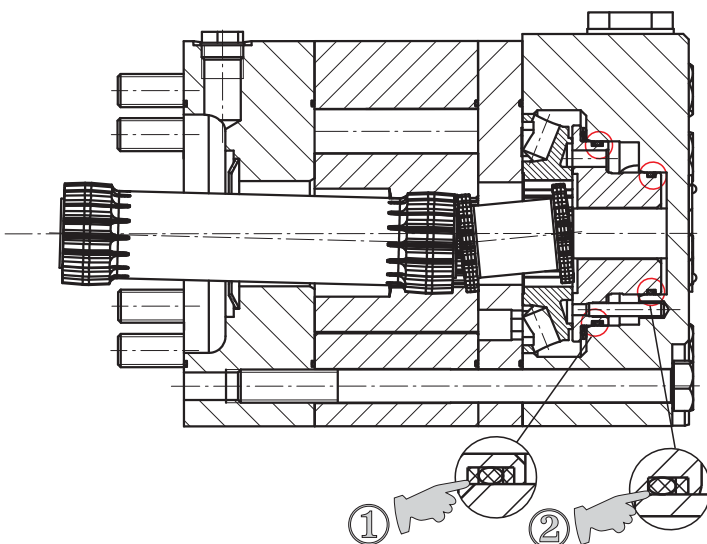
1. Easier assembly.
2. Prevention of the risk for assembly errors.



New Series C



Old Series B



The reinforced MLHTMV...HD series C motors deviate from MLHTMV...HD series B on the following points:

1. In order to protect the O-ring during the high pressure peaks, the balance plate has been provided with a new seal construction.
2. A drain line should always be used in case of valve absence!

The main technical features correspond to the standard motors MLHTM.

There are no changes in the overall and mounting dimensions of the new series of motors.

For detailed technical and mounting data please refer to M+S catalogue.