

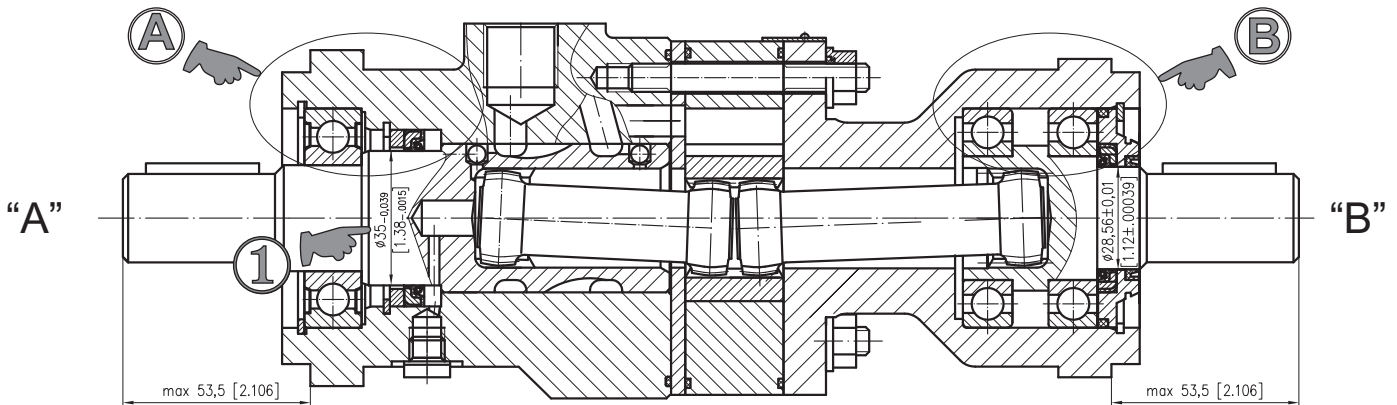
**Product Tech News**

## Hydraulic motors with Dual shaft type MRB... series 2

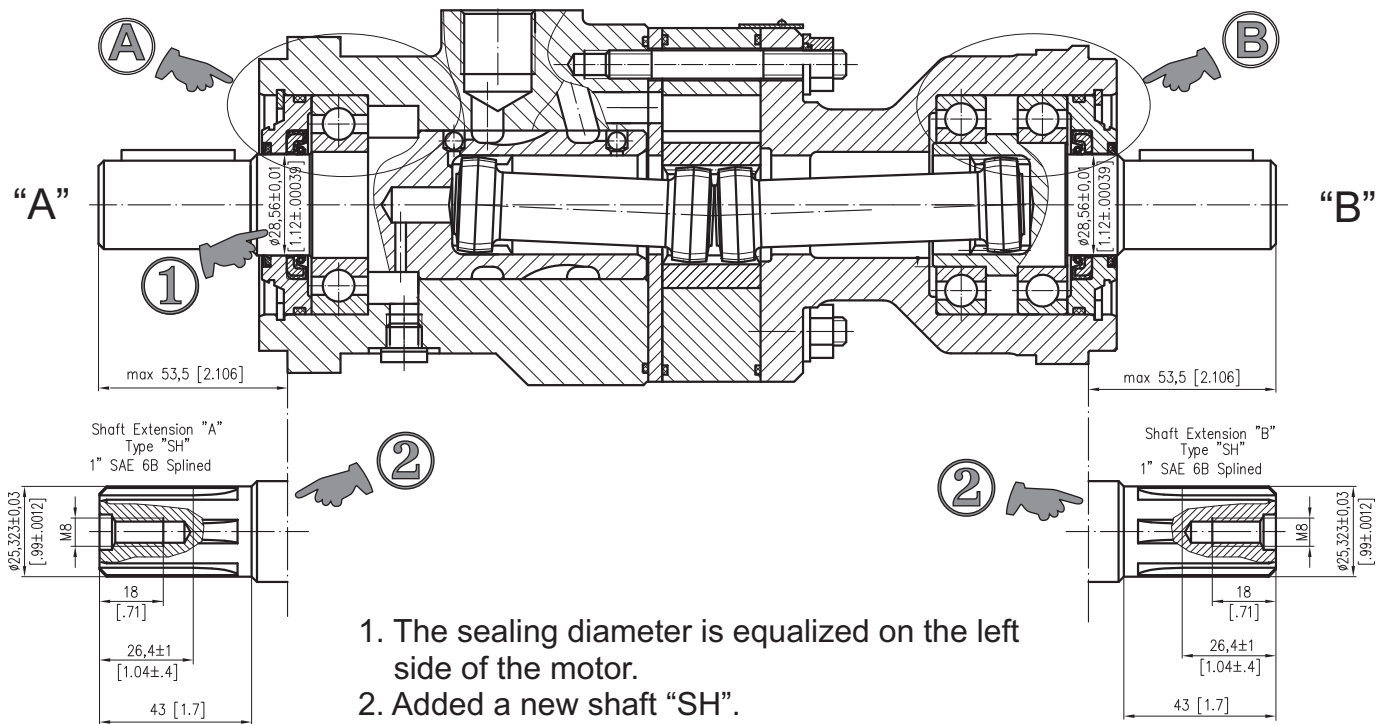
The main advantages of the new series are:

- I. The bearing of side **A** is better protected and the level of the protection is equal to the bearing of side **B**.
- II. Easier assembly and disassembly.
- III. Preventing repair errors.

**MRB... Series 1**  
Motor type C/C



**MRB... Series 2**  
Motor type C/C



1. The sealing diameter is equalized on the left side of the motor.
2. Added a new shaft "SH".

The main technical features correspond to the standard motors series MRB.

There are no changes in the overall and mounting dimensions of the new series of motors.

For detail technical and mounting data please refer to M+S catalogue.