

Quality assured company - ISO 9001 certified



M+S

HYDRAULIC

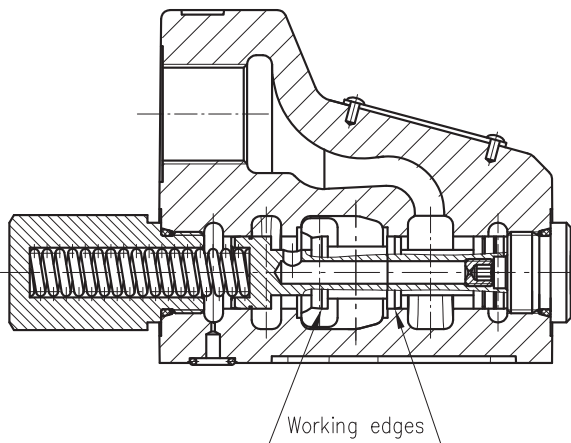
Product Tech News

Priority Valve type PR5D(D)..., PR5TA(D)..., PR5T-series 3

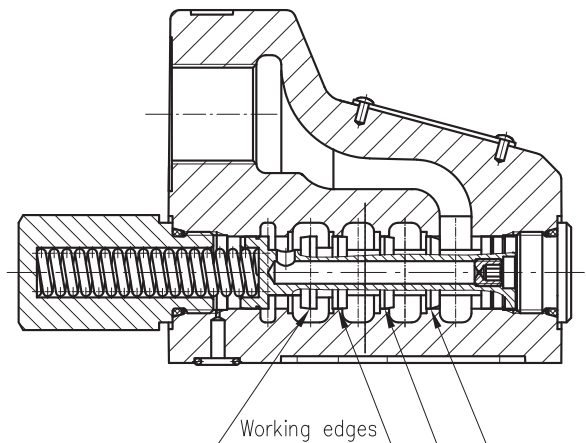
INTRODUCTION

M+S introduces the new series of priority valves PR5D(D) 40, 80/... , PR5TA(D) 40,80/... and PR5T(D) 40,80/... with new improved housing and control spool. The difference between series 2 and series 3 is that series 3 has more working edges which provide better work of the valve block.

**PR.....
Series 2**



**PR5...
Series 3**



M+S HYDRAULIC

68, Kozloduy St., 6100 Kazanlak, Bulgaria

Tel.: ++359 431 65167

Fax: +359 431 64114

E-Mail: msh@ms-hydraulic.com